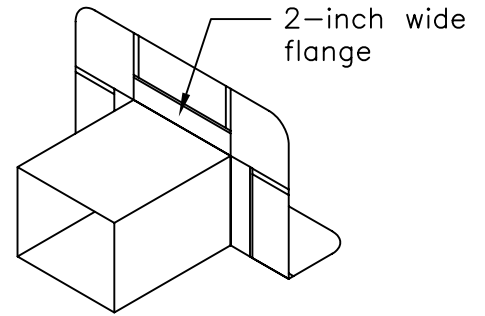
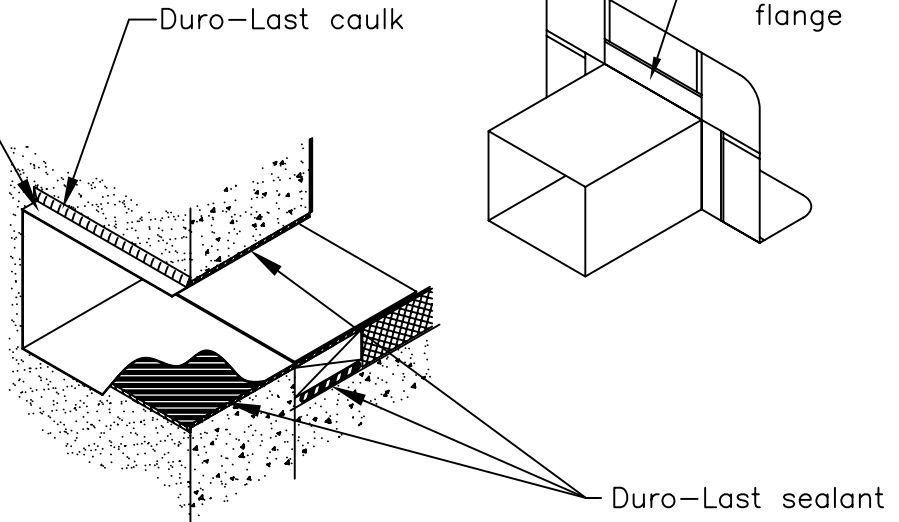




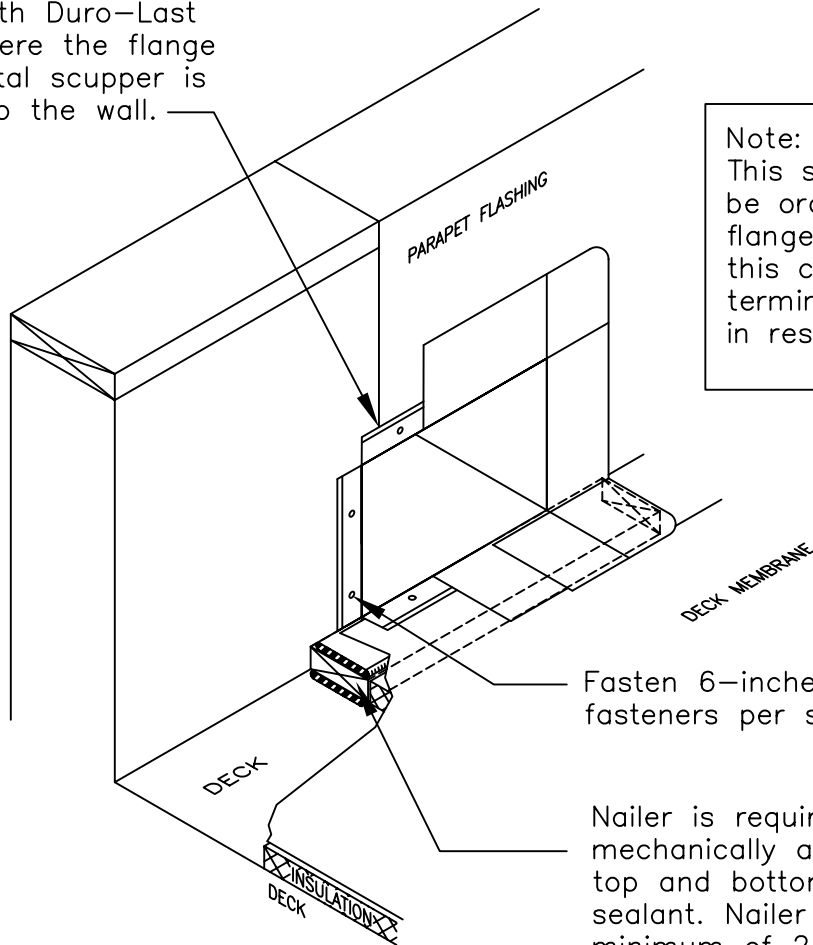
DURO-LAST, INC.
525 Morley Drive
Saginaw, MI 48601

DETAIL 2061

Note 1:
Single skirt scupper
must extend 1-inch
beyond the wall
opening.



Back-seal the parapet
flashing with Duro-Last
sealant where the flange
of the metal scupper is
attached to the wall.



Note:
This single skirt scupper can
be ordered without a metal
flange on the inside wall. In
this case, the skirt must be
terminated on the inside wall
in respect to detail 2060.

Fasten 6-inches on center, 2
fasteners per side minimum.

Nailer is required and must be
mechanically attached and sealed at
top and bottom using Duro-Last
sealant. Nailer must extend a
minimum of 2-inches beyond the
opening of the scupper.

DATE: JANUARY 2009	DRAINAGE DETAILS
DRAWN BY: ENG. DEPT.	SINGLE SKIRT METAL SCUPPER
SCALE: NONE	NEW CONSTRUCTION OR RE-ROOF