

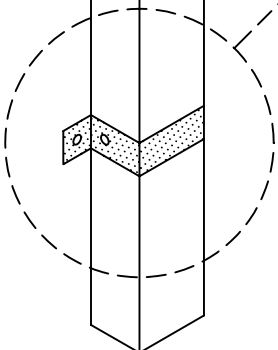
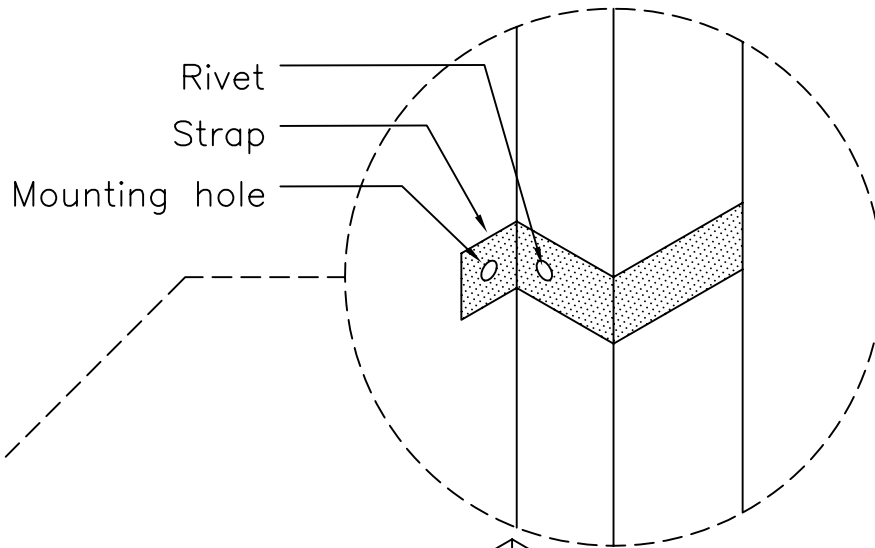
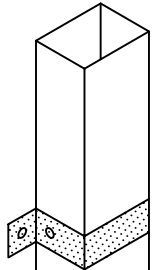


NOTE 1: Install all elbows with a minimum of 2 pop rivets per side. Place over-lapping joints in progressive order to insure a water shedding joint.

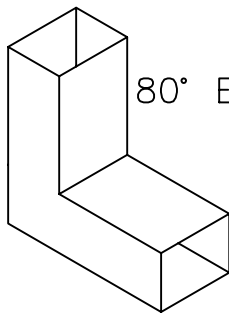
NOTE 2: Install wall straps with a min. of 2 pop rivets placed into downspouts. Two straps must be installed for every 10'-0" section of downspout. It is recommended, not required, that the straps be installed to cover the joints of each section.

NOTE 3: Available in both open and closed faces.

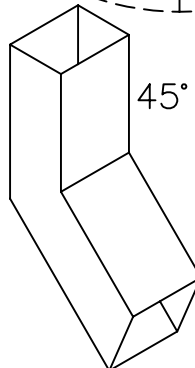
WIDE END



NARROW END

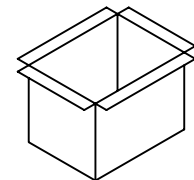


80° ELBOW\*\*



45° ELBOW\*\*

DROP/OUTLET



\*\* "A" & "B" Style elbows are available. "A" style elbows directs water away from the building. "B" style elbows direct water alongside the building.