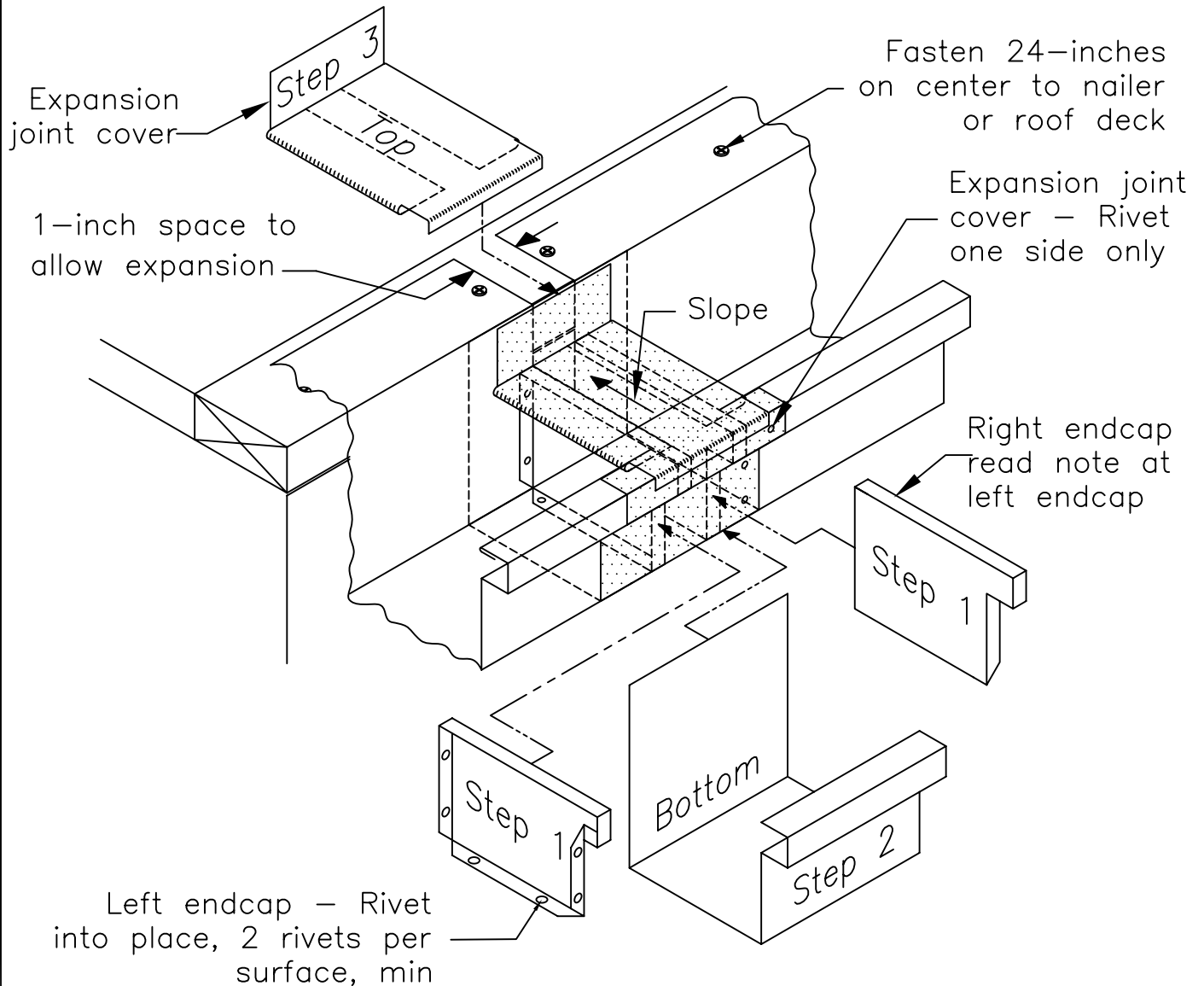




DURO-LAST, INC.

525 Morley Drive
Saginaw, MI 48601

DETAIL 2095



NOTE 1: Endcaps are to be riveted into position. On Expansion Joint Cover rivet one side of the joint only.

NOTE 2: All joints, splices, corners, and endcaps must have Duro-Last approved sealant applied to them to ensure a water-tight application.

NOTE 3: One expansion joint should be installed for every 40-50 feet of gutter being installed. Allow for a 1-inch space between expansion areas.

NOTE 4: Gutter straps are required every 24 to 30-inches on center.

NOTE 5: Drainage slope and drain sizes are to be determined by local building code requirements and are the responsibility of the contractor to follow.