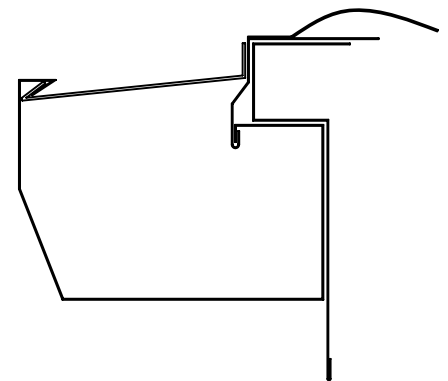
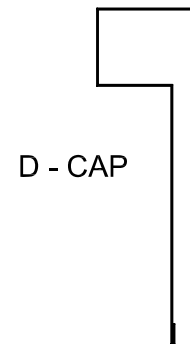
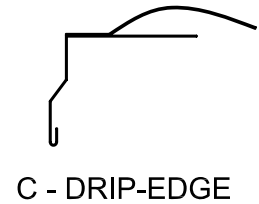
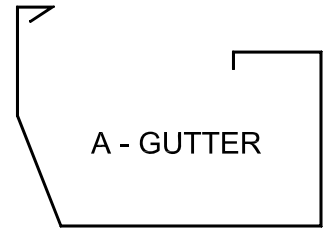
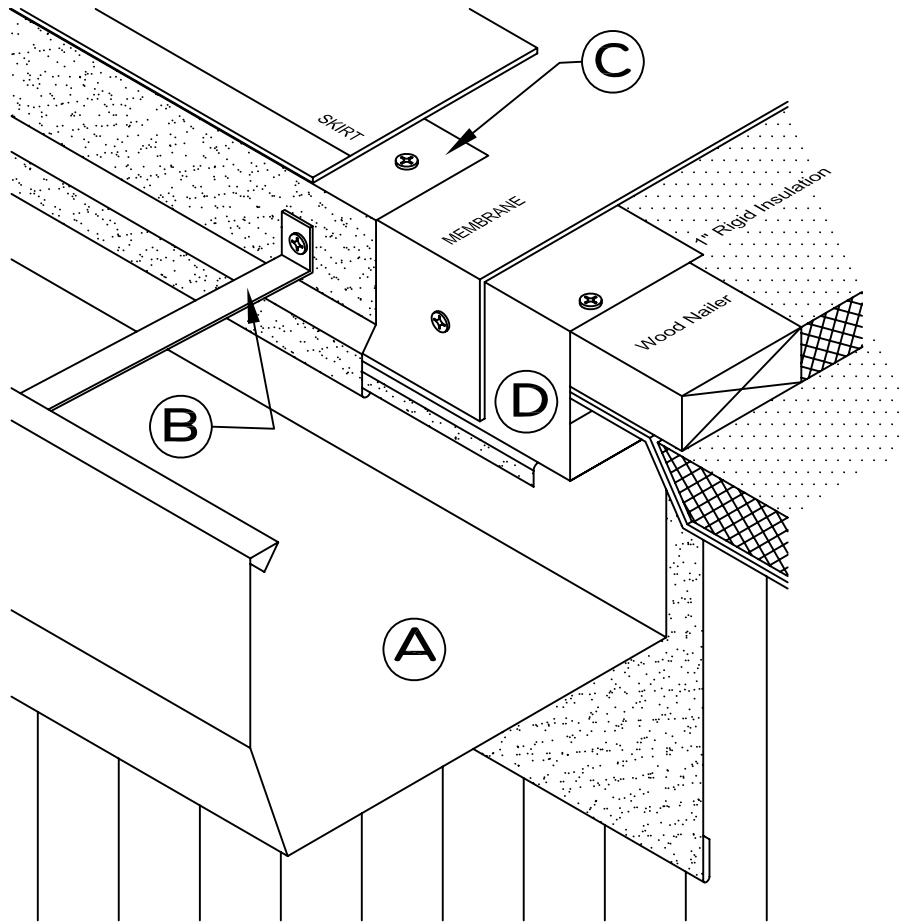




**DURO-LAST, INC.**

525 Morley Drive  
Saginaw, MI 48601

DETAIL 2105



- Note 1: Install (D) channel cap over the wood nailer and metal deck. Fasten this into a wood nailer 18-inches on center.
- Note 2: Install the membrane over the edge and fasten to hold it in place. When installing the drip edge (C), be sure to fasten it 6-inches on center.
- Note 3: Snap the gutter (A) into place, as illustrated.
- Note 4: Fasten the gutter brackets (B) 24-inches on center, using a rubber grommeted screw.
- Note 5: Nailers are required to be installed with this detail.