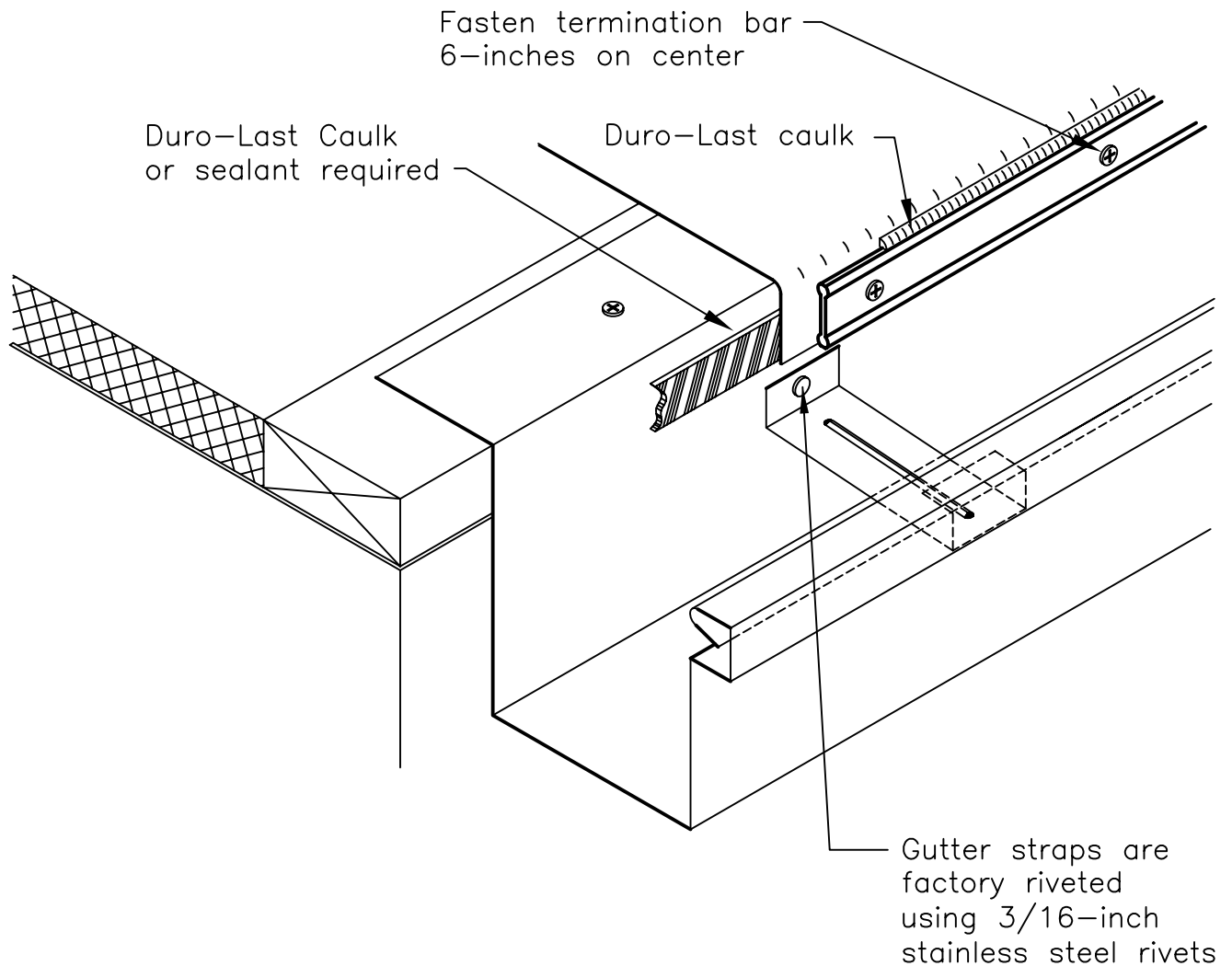




DURO-LAST, INC.

525 Morley Drive
Saginaw, MI 48601

DETAIL 3020



Note 1: A 1/4-inch gap is required between sections of Duro-Last termination bar.

Note 2: A wood nailer is required if 1-inch of insulation or greater is used. Top of wood nailer to be flush with top of insulation. Fasteners used to attach wood nailers shall be spaced no greater than 18-inches on center.