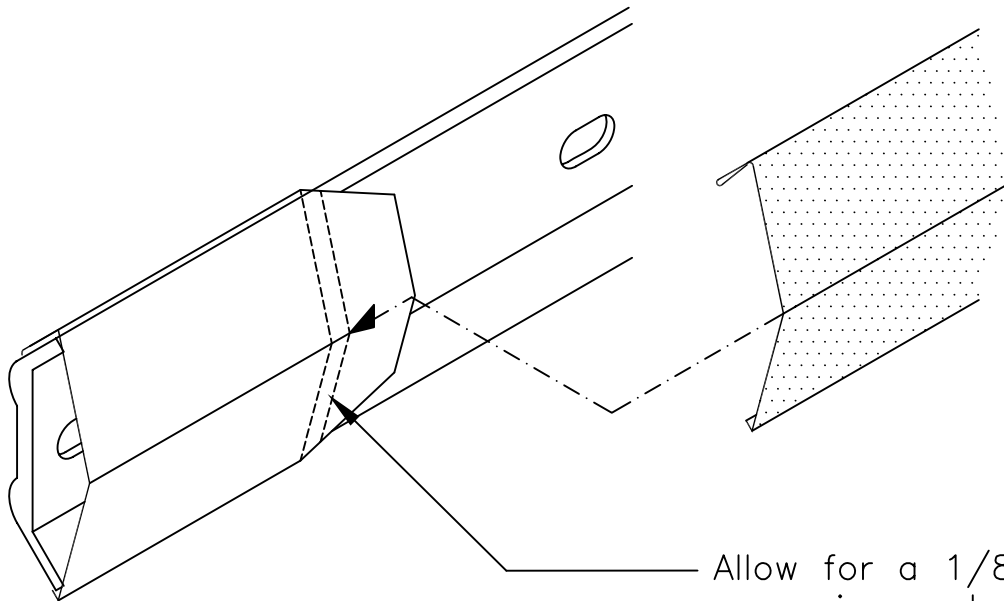




DURO-LAST, INC.

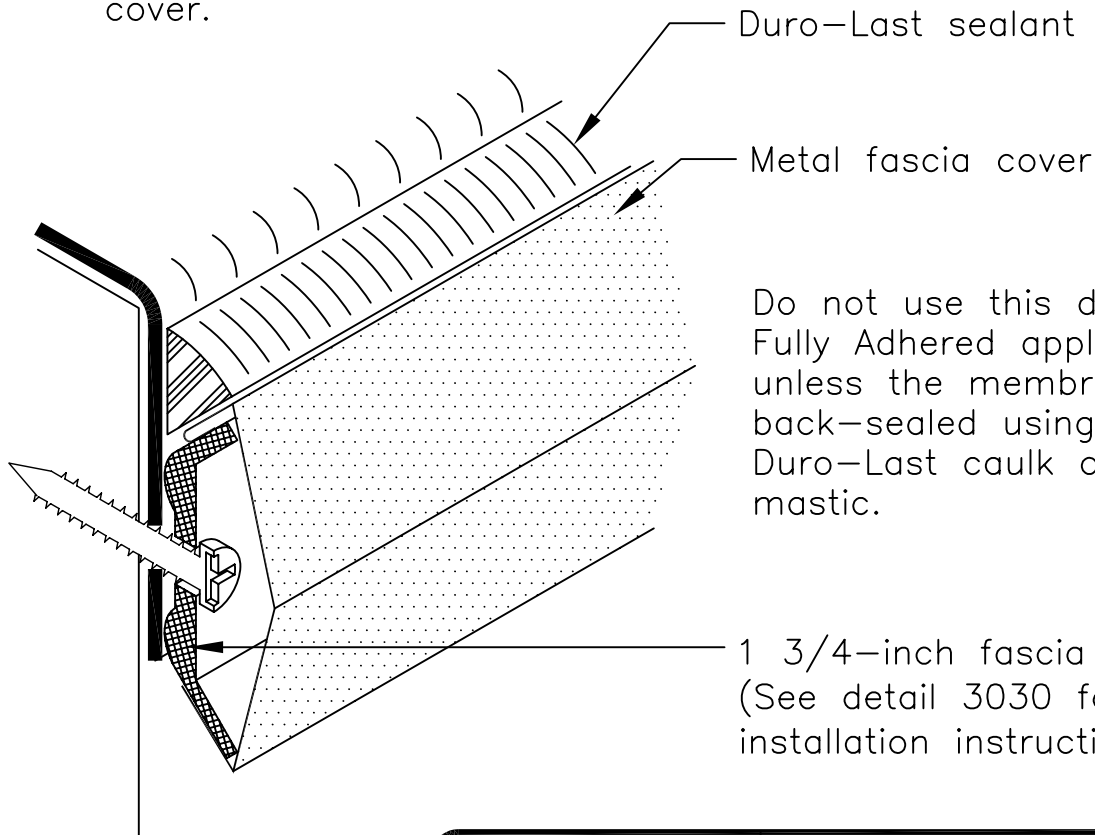
525 Morley Drive
Saginaw, MI 48601

DETAIL 3500



Allow for a 1/8-inch gap for expansion and contraction. (Expansion tab must install beneath the next installed piece)

Note: Joints on the fascia bar must be offset by a minimum of 12-inches from the joints in the fascia cover.



Duro-Last sealant

Metal fascia cover

Do not use this detail for Fully Adhered applications unless the membrane is back-sealed using Duro-Last caulk or strip mastic.

1 3/4-inch fascia bar
(See detail 3030 for installation instructions)