

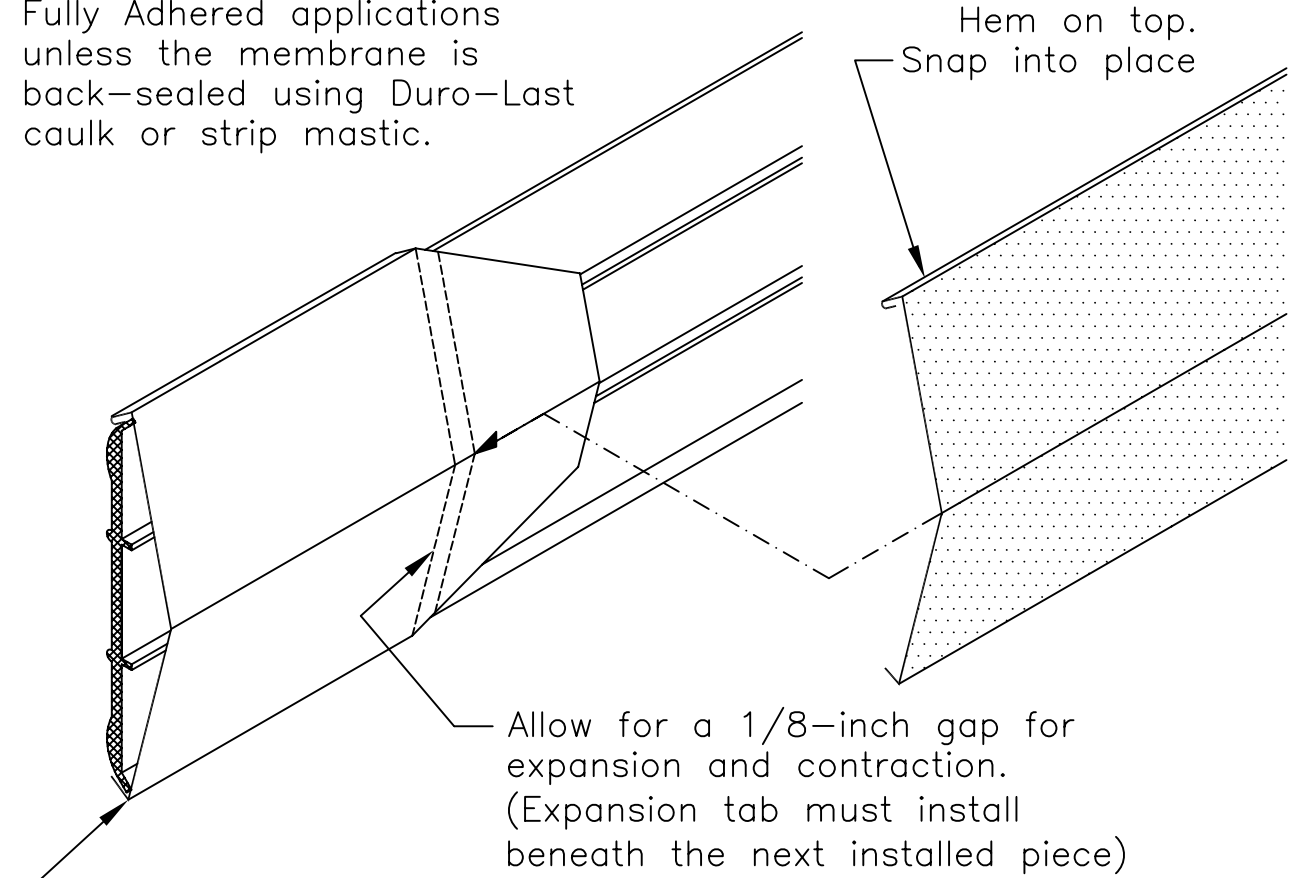
DETAIL 3510



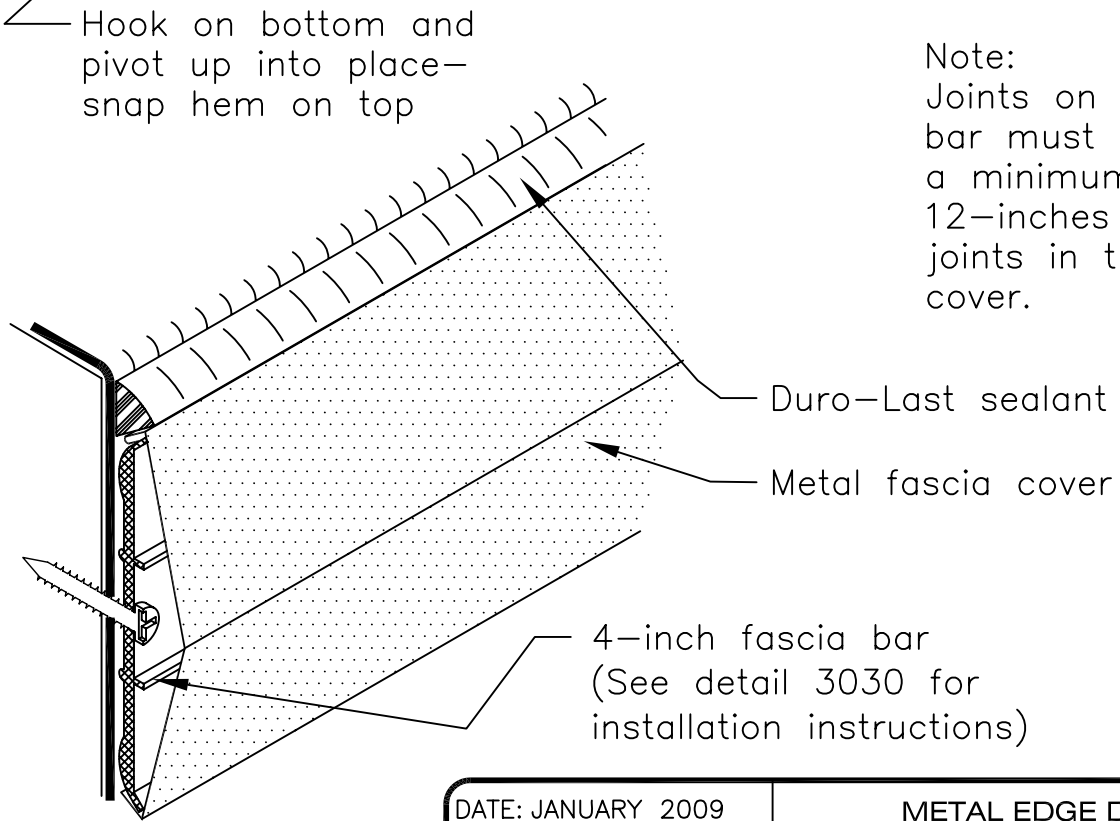
DURO-LAST, INC.

525 Morley Drive
Saginaw, MI 48601

Do not use this detail for Fully Adhered applications unless the membrane is back-sealed using Duro-Last caulk or strip mastic.



Note:
Joints on the fascia bar must be offset by a minimum of 12-inches from the joints in the fascia cover.



DATE: JANUARY 2009

METAL EDGE DETAIL

DRAWN BY: ENG. DEPT.

4-INCH METAL FASCIA SYSTEM

SCALE: NONE

NEW CONSTRUCTION OR RE-ROOF