

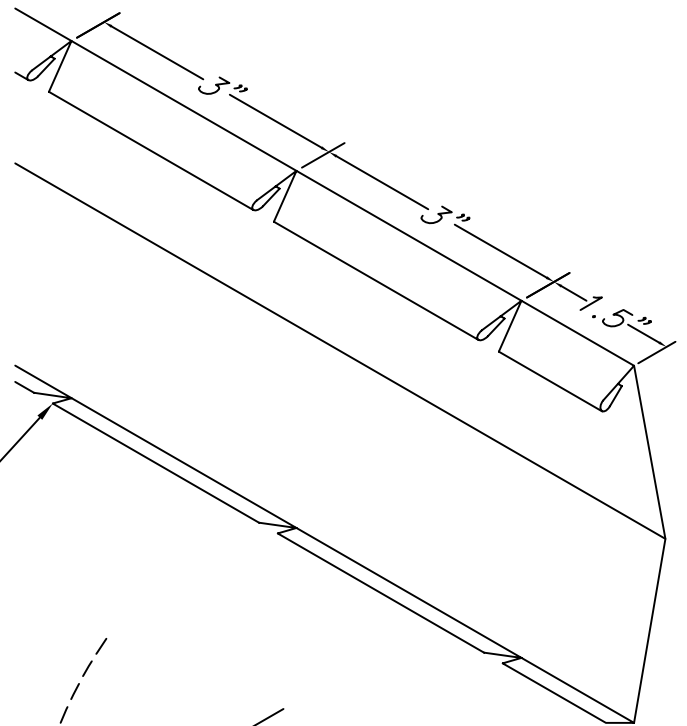


**DURO-LAST, INC.**

525 Morley Drive  
Saginaw, MI 48601

DETAIL 3511

Do not use this detail for Fully Adhered applications unless the membrane is back-sealed using Duro-Last caulk or strip mastic.



Notches are cut to allow the cover to flex around a radius.

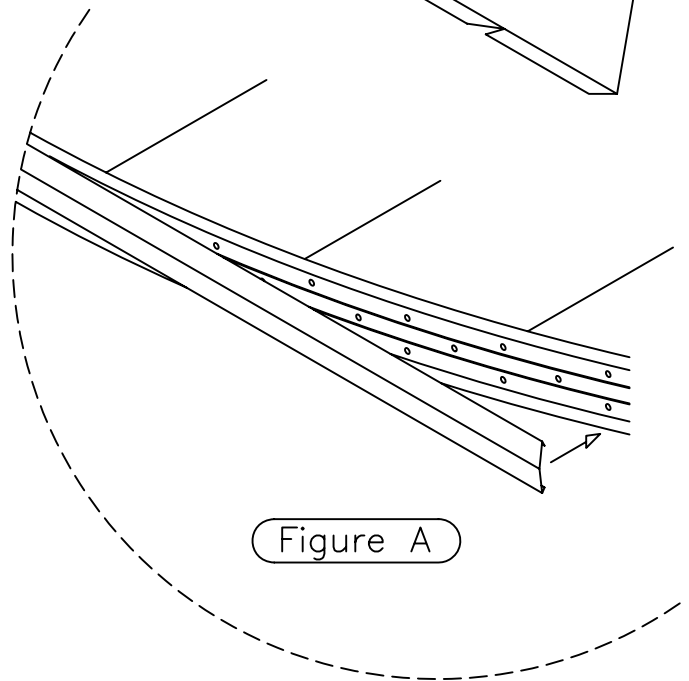
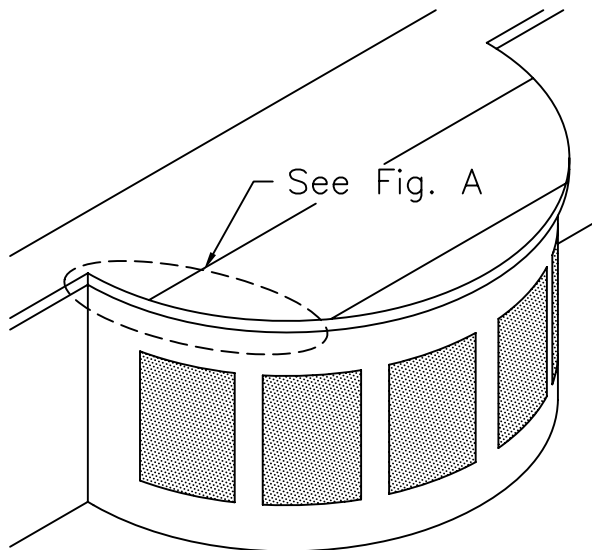


Figure A

Note 1: Limited to 4-inch fascia cover only.

Note 2: The fascia bar must be fastened 6-inches on-center.

Note 3: See Detail 3510 for the installation of the metal covers.

Note 4: This edge can be installed on both inside and outside radius edges.

|                      |                                |
|----------------------|--------------------------------|
| DATE: JANUARY 2008   | METAL EDGE DETAIL              |
| DRAWN BY: ENG. DEPT. | 4-INCH METAL FLEX FASCIA COVER |
| SCALE: NONE          | NEW CONSTRUCTION OR RE-ROOF    |