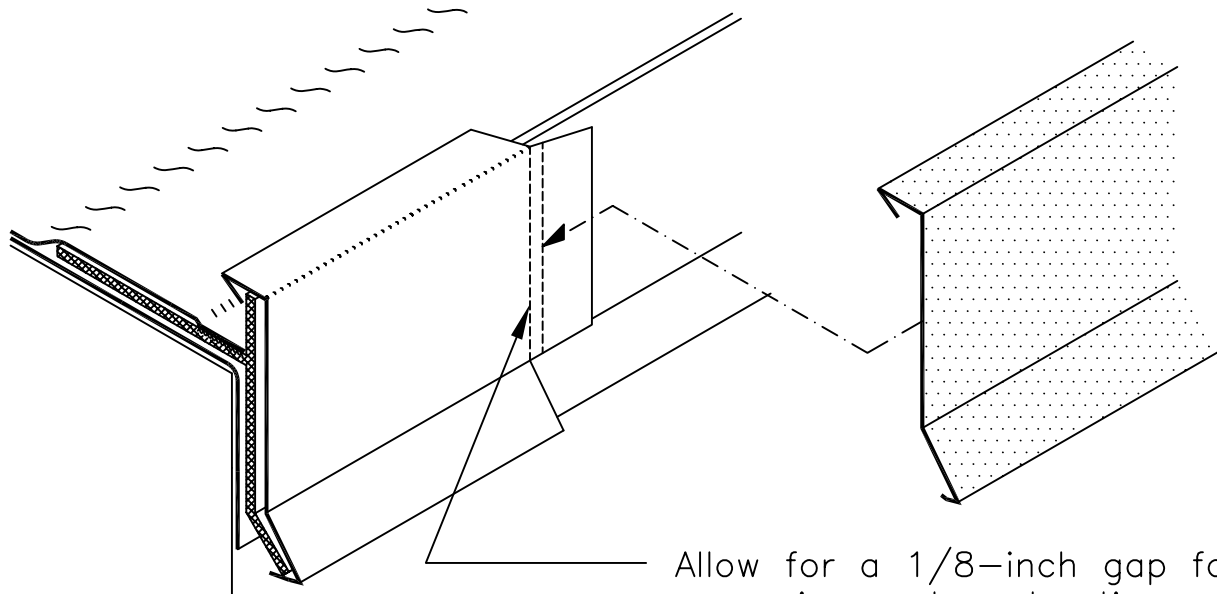




DURO-LAST, INC.

525 Morley Drive
Saginaw, MI 48601

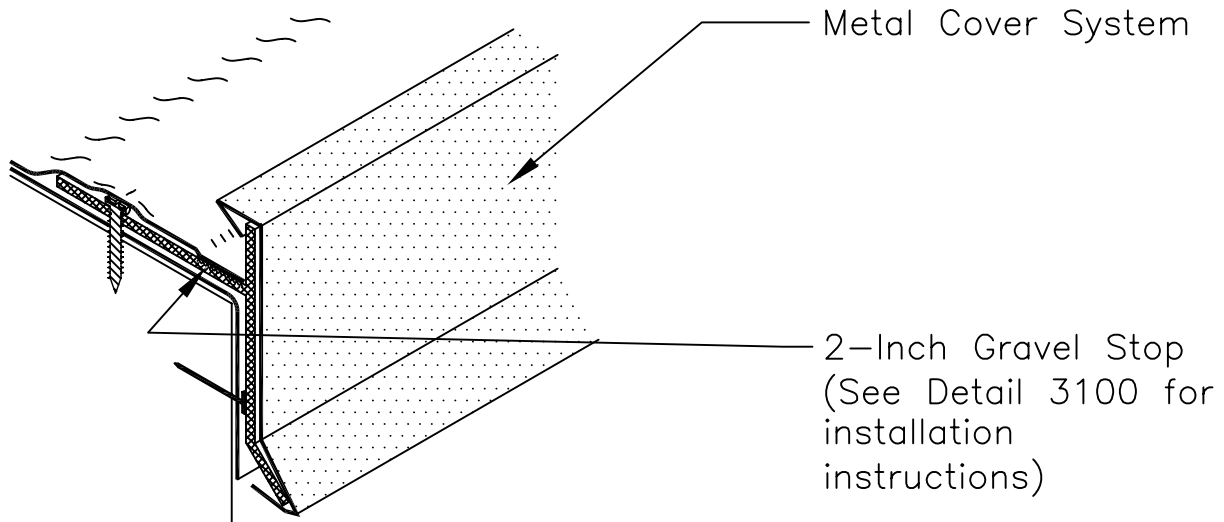
DETAIL 3520



Allow for a 1/8-inch gap for expansion and contraction. (Expansion tab must install beneath the next installed piece)

Note: Joints on the gravel stop must be offset by a minimum of 12-inches from the joints in the gravel stop cover.

*Be sure to caulk the gap between sections of vinyl gravel stop



THE USE OF THIS DETAIL IS NOT ALLOWED ON FULLY ADHERED APPLICATIONS.