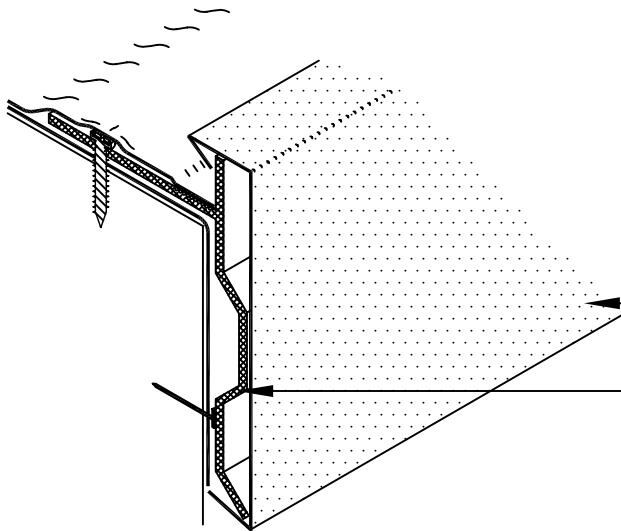


Allow for a 1/8-inch gap for expansion and contraction. (Expansion tab must install beneath the next installed piece) Install Left to Right.

Note: Joints on the gravel stop must be offset by a minimum of 12-inches from the joints in the gravel stop cover.

\*Be sure to caulk the gap between sections of vinyl gravel stop



Metal Cover System

4-inch Gravel Stop  
(See detail 3100 for installation instructions)

THE USE OF THIS DETAIL IS NOT ALLOWED ON FULLY ADHERED APPLICATIONS.