



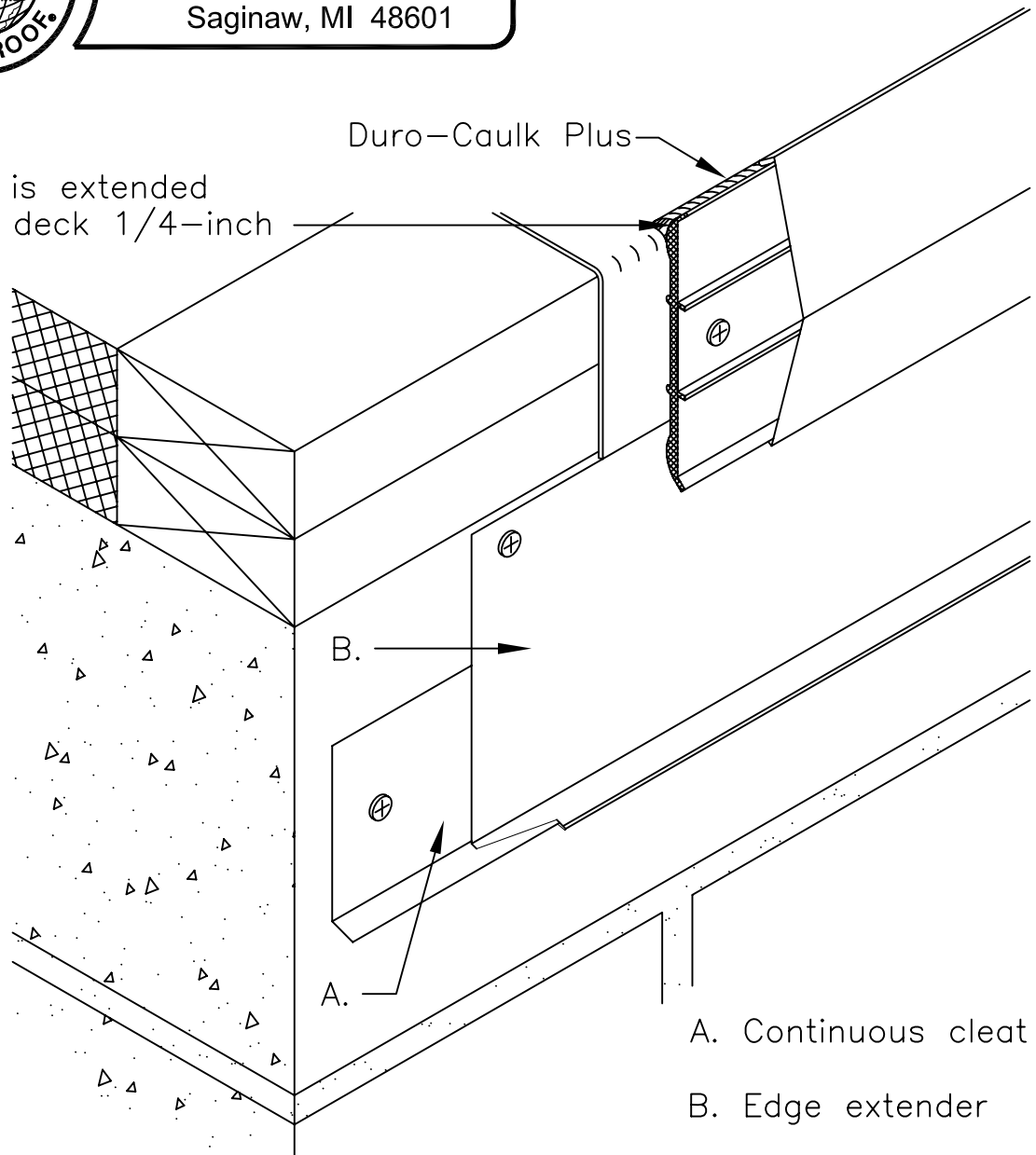
DURO-LAST, INC.

525 Morley Drive
Saginaw, MI 48601

DETAIL 3540

Fascia Bar is extended
above roof deck 1/4-inch

Duro-Caulk Plus



A. Continuous cleat

B. Edge extender

Note 1: If the Edge Extender is 4-inches or larger, A continuous cleat is required.

Note 2: The continuous cleat and edge extender must be fastened 6-inches on center (max.).

Note 3: All joints and splices must be staggered a minimum of 12-inches.

Note 4: Do not use this detail for Fully Adhered applications unless the membrane is back-sealed using Duro-Last caulk or strip mastic.