

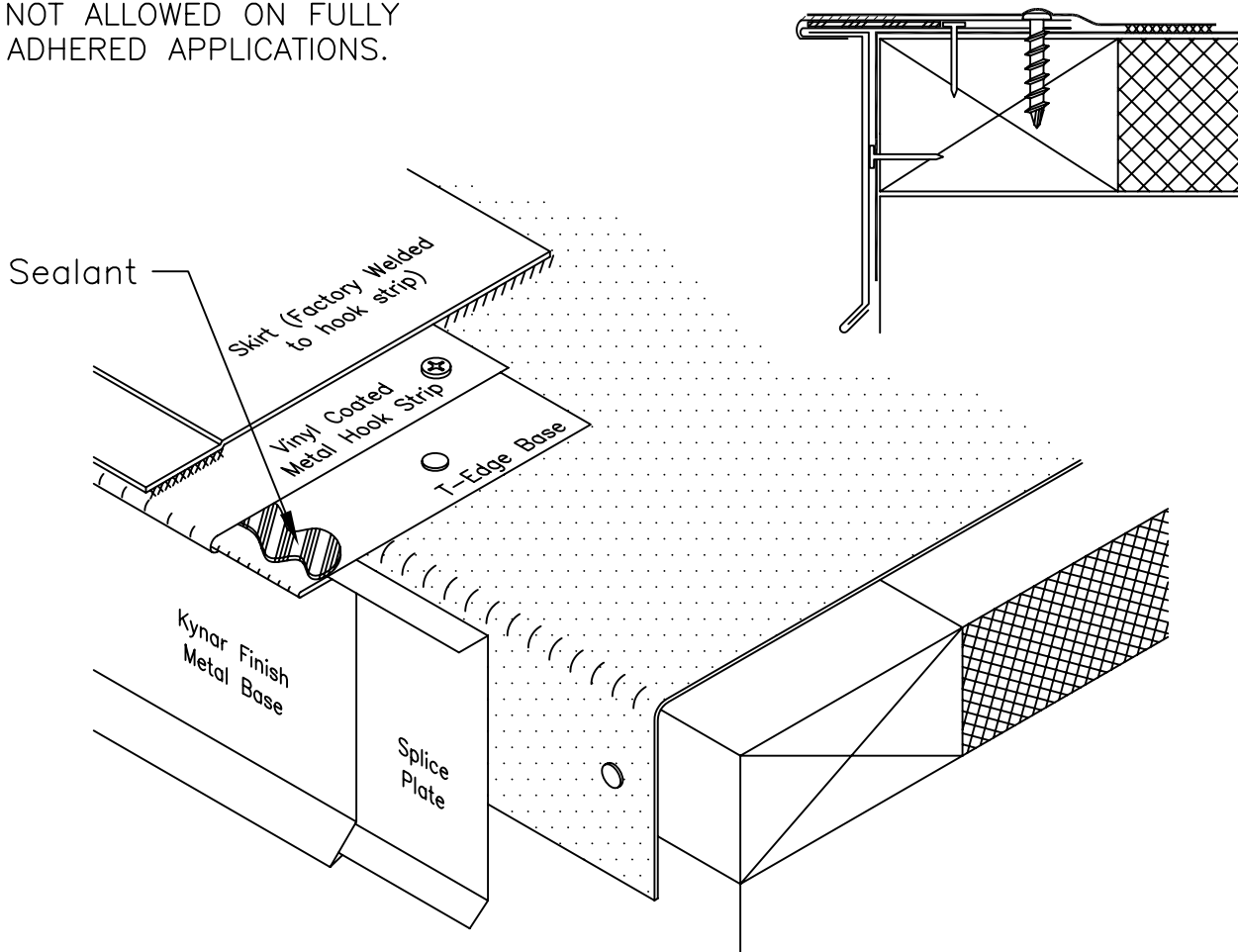
DETAIL 3550



DURO-LAST, INC.

525 Morley Drive
Saginaw, MI 48601

THE USE OF THIS DETAIL IS NOT ALLOWED ON FULLY ADHERED APPLICATIONS.



- Note 1. Fasten the T-Edge Base to the wood nailer (enough to hold in place) with galvanized nails. Be sure to install a splice plate behind each section of T-Edge.
- Note 2. Attach the vinyl coated hook strip to the T-Edge base and fasten it 6-inches on center with Duro-Last #14 Screws. Be sure that this row of fasteners also penetrates through the T-Edge base. Hook strips must overlap each other by 1-inch. Allow an 1/8-inch gap between individual sections of the T-Edge base. Stagger the seams between the base and the hook strip 12-inches minimum.
- Note 3. A continuous bead of sealant is required between the vinyl coated metal hook strip and the T-Edge base.
- Note 4. A cleat is required on faces that are 4-inches or greater in size.
- Note 5. Weld the skirt of the hook strip to the roof membrane.
- Note 6. If this detail will be used in a gutter, back-seal and fasten the membrane 6-inches on center. (See detail 3050)

DATE: JANUARY 2009	METAL EDGE DETAIL
DRAWN BY: ENG. DEPT.	METAL "T-EDGE"
SCALE: NONE	NEW CONSTRUCTION OR RE-ROOF