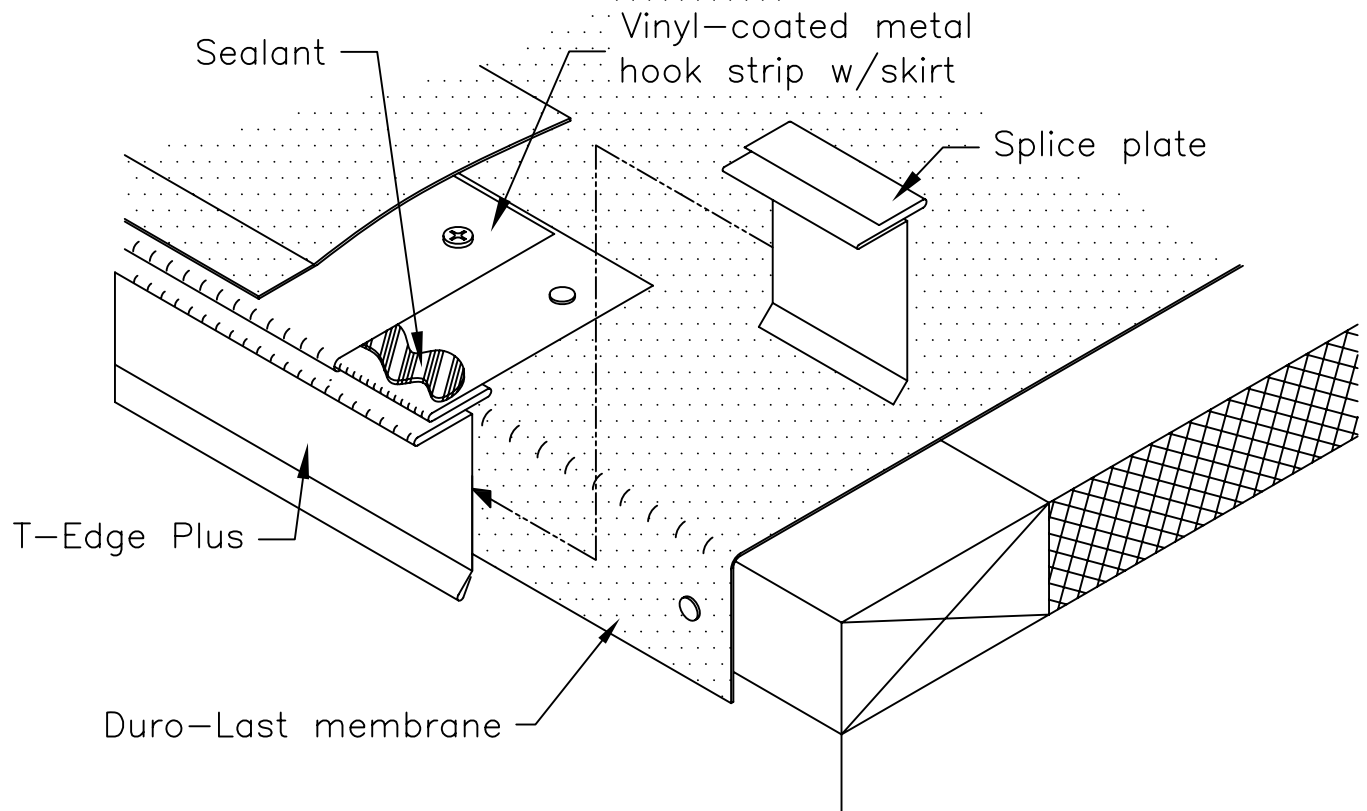




DURO-LAST, INC.

525 Morley Drive
Saginaw, MI 48601

DETAIL 3555



THE USE OF THIS DETAIL IS NOT ALLOWED ON FULLY ADHERED APPLICATIONS.

NOTE 1: Fasten the T-Edge base to the wood nailer (enough to hold in place) with galvanized nails. Be sure to install a splice plate behind each section of T-Edge.

NOTE 2: Attach the membrane-coated metal hook strip to the T-Edge base and fasten it 6-inches on center with #14 screws. Be sure that this row of fasteners also penetrates through the T-Edge base. Hook strips must overlap each other by 1-inch. Allow an $\frac{1}{8}$ -inch gap between individual sections of the T-Edge base. Stagger the seams between the base and the hook strip 12-inches minimum.

NOTE 3: A continuous bead of sealant is required between the vinyl-coated metal hook strip and the T-Edge base.

NOTE 4: A cleat is required on faces that are 4-inches or greater in size.

NOTE 5: Weld the skirt of the hook strip to the roof membrane.

NOTE 6: If this detail will be used in a gutter, back-seal and fasten the membrane 6-inches on center (See Detail 3050).