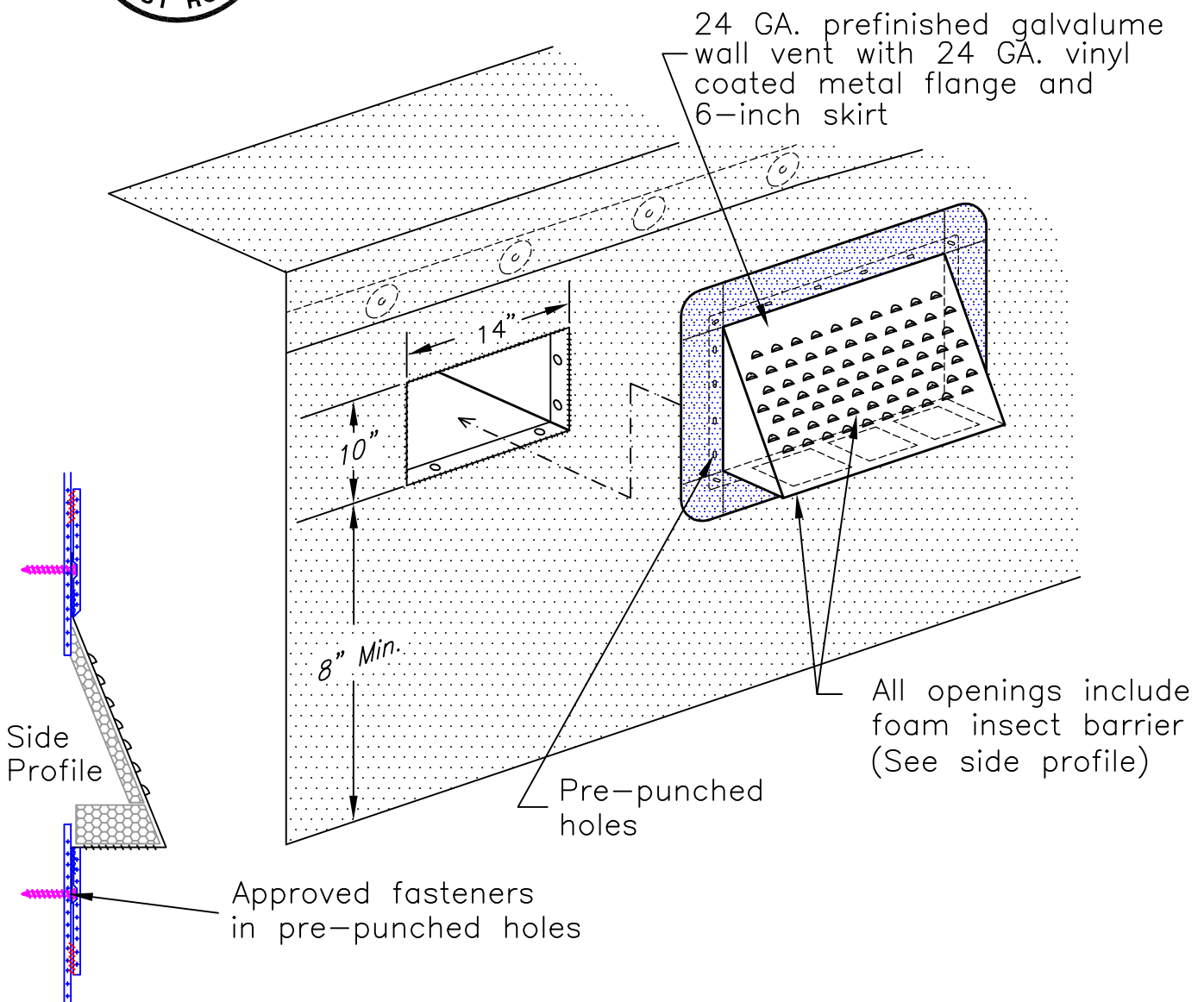




**DURO-LAST, INC.**

525 Morley Drive  
Saginaw, MI 48601

**DETAIL 6015**



- Note 1: Precut a 14 x 10-inch opening in the upper 1/3 of the parapet wall a minimum of 8-inches from the finished roof surface.
- Note 2: Install Duro-Last wall flashing according to detail 6010.
- Note 3: Cut the parapet wall flashing that covers the precut opening and fold material to the inside of the opening and nail (inside only).
- Note 4: Install the Duro-Last wall vent over opening and fasten the metal flanges with the pre-punched holes. Minimum of two per side.
- Note 5: Weld the 6-inch skirt completely on all edges to the parapet wall flashing.

DATE: APRIL 2010	PARAPET WALL DETAIL
DRAWN BY: ENG. DEPT.	PARAPET WALL VENT
SCALE: NONE	NEW CONSTRUCTION OR RE-ROOF