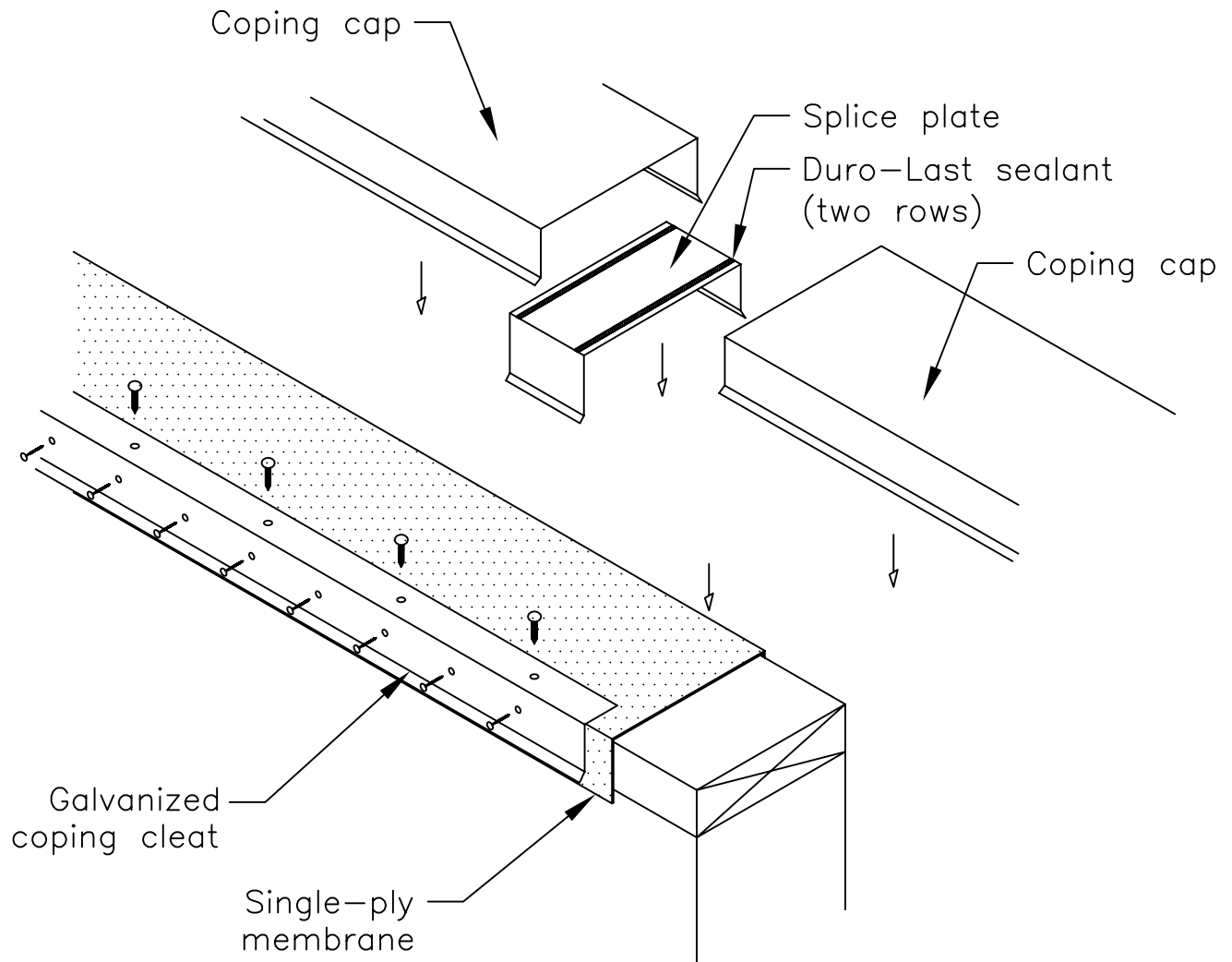




DURO-LAST, INC.  
525 Morley Drive  
Saginaw, MI 48601

6050 INSTALLATION



Note 1: Install the coping cleat using 1 1/2-inch fasteners 12-inches on center. Face nail the cleat using 1 1/2-inch fasteners 12-inches on-center.

Note 2: Install the splice plate by locating it onto the center of the coping joint. Apply a bead of an approved Duro-Last sealant on both sides of the top surface of the splice plate. Do not fasten the splice plate.

Note 3: Install coping cap over top of the splice plate. Be sure to leave a 1/4-inch gap between sections of coping to allow for expansion and contraction.

Note 4: All joining surfaces such as joints, splices, corners, and end caps must have an approved sealant applied to them.