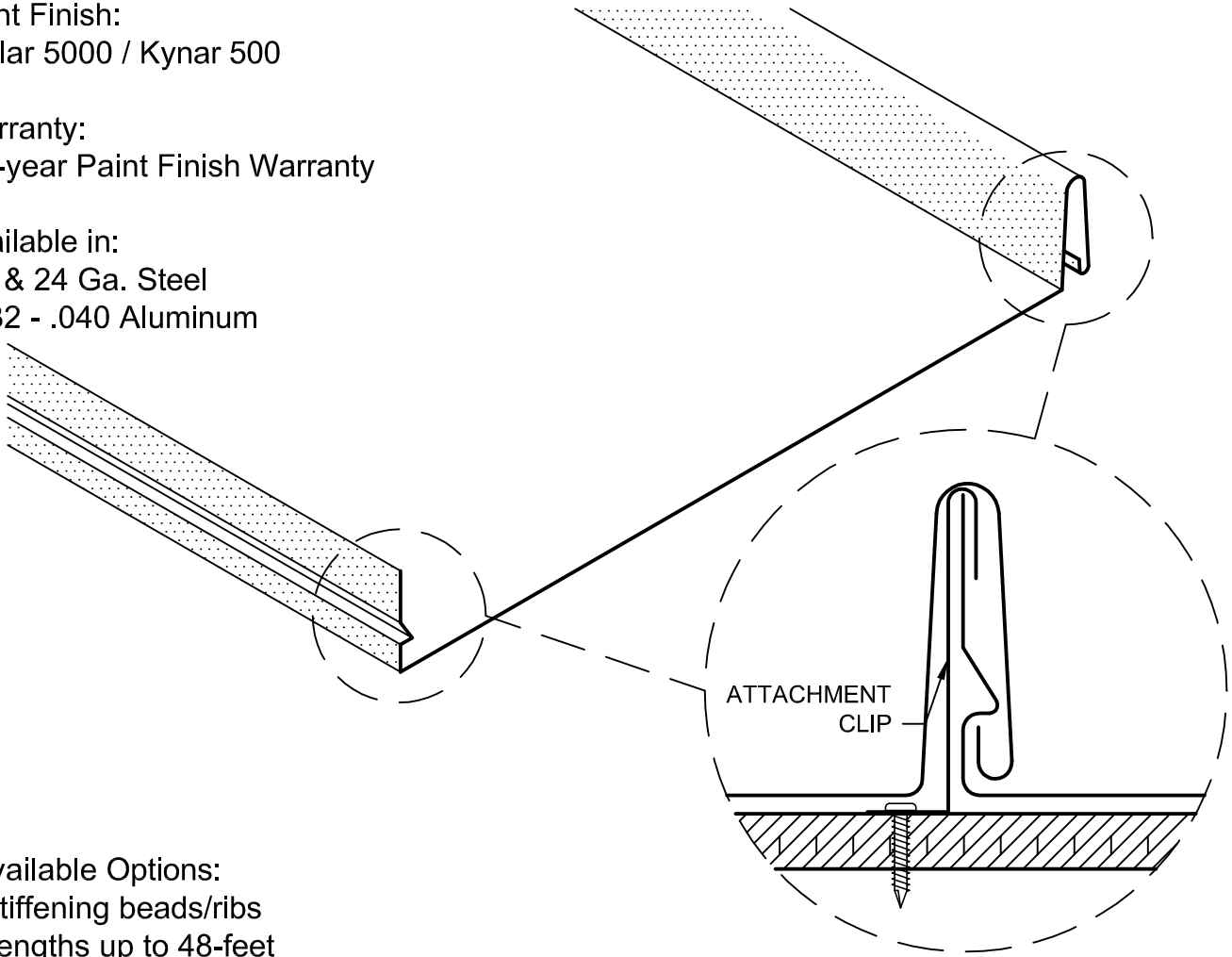


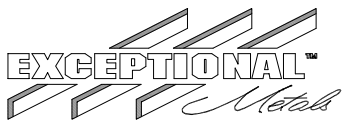
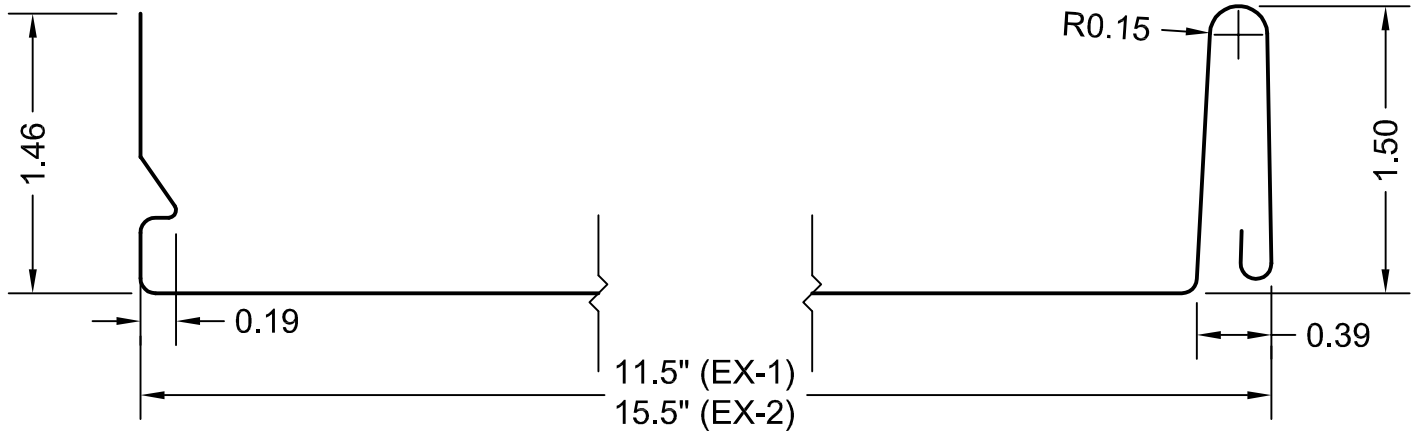
Paint Finish:
 -Hylar 5000 / Kynar 500

Warranty:
 -20-year Paint Finish Warranty

Available in:
 -22 & 24 Ga. Steel
 -.032 - .040 Aluminum



Available Options:
 -Stiffening beads/ribs
 -Lengths up to 48-feet



831 MORLEY DRIVE
 SAGINAW, MICHIGAN 48601
 PH: 800-248-0280
 FAX: 989-737-7073



EX-1 & EX-2 SNAP LOCK PANEL	
ROOF PANEL PROFILE	
STANDARD PRODUCT	
DRAWN BY: EM	
DATE: 01/2009	SCALE: NTS

DETAIL NO.

P-200