



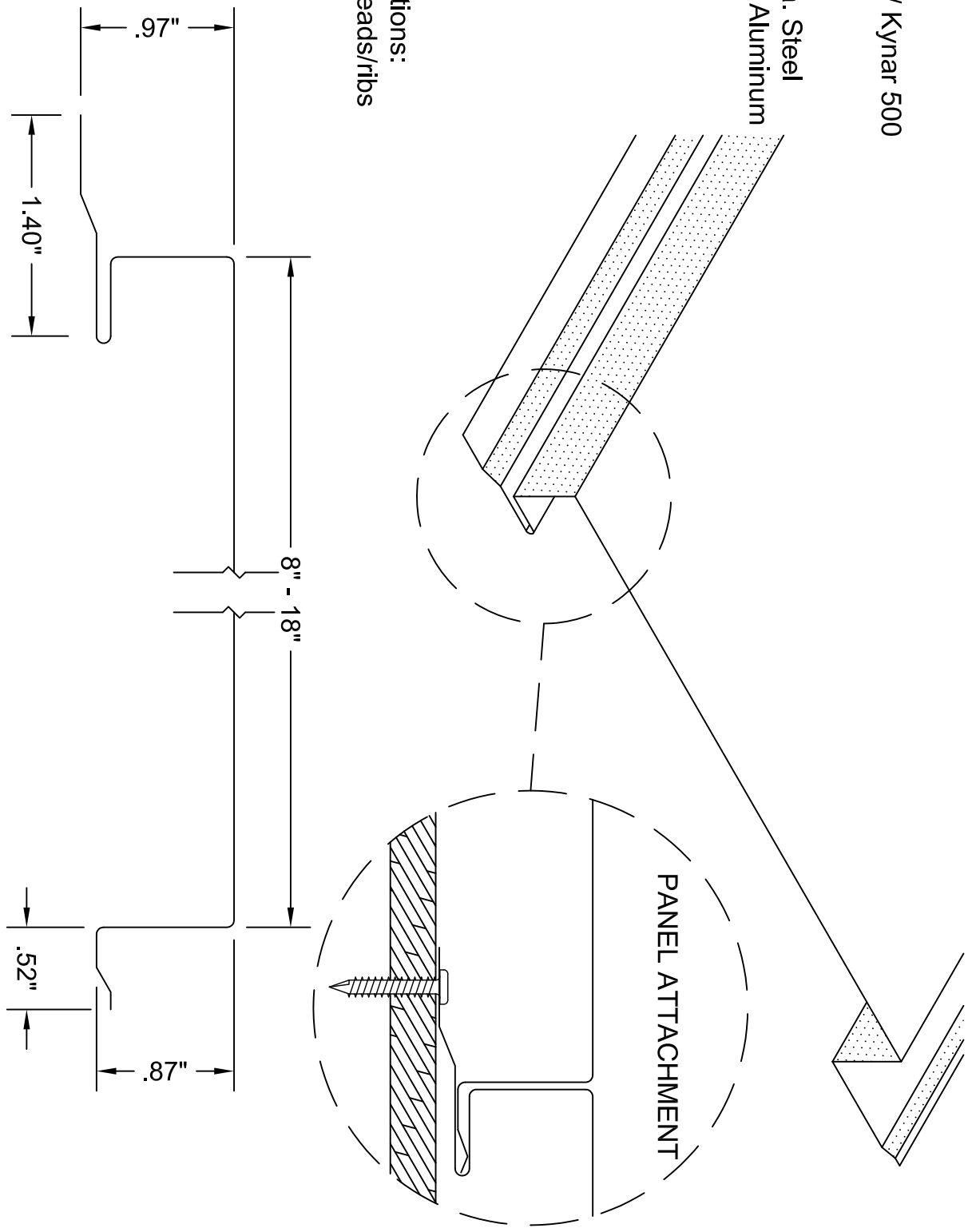
831 MORLEY DRIVE
 SAGINAW, MICHIGAN 48601
 PH: 800-248-0280
 FAX: 989-737-7073

Flush/Soffit

Paint Finish:
 - Hylar 5000 / Kynar 500

Available in:
 - 22 & 24 Ga. Steel
 - .032 - .040 Aluminum

Available Options:
 - Stiffening beads/ribs
 - Vented



Profile

DATE: 12-14-10	Exceptional Metals EM Flush/Soffit Panel
DRAWN BY: Engineering	Material Usage=3.75"
SCALE: NTS.	NEW CONSTRUCTION OR REROOF