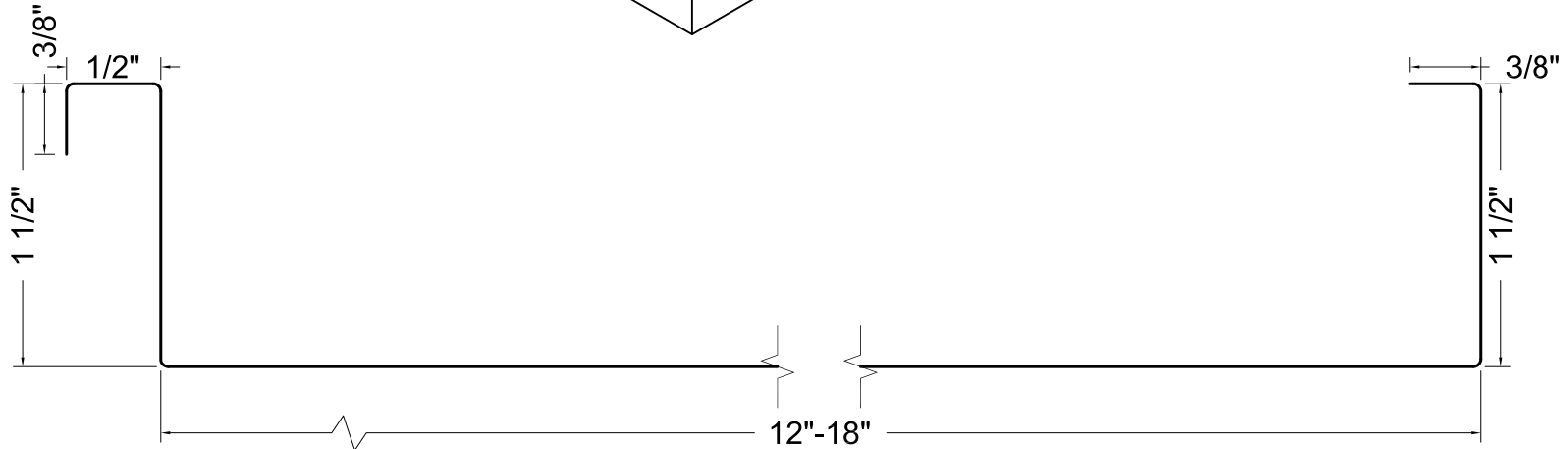
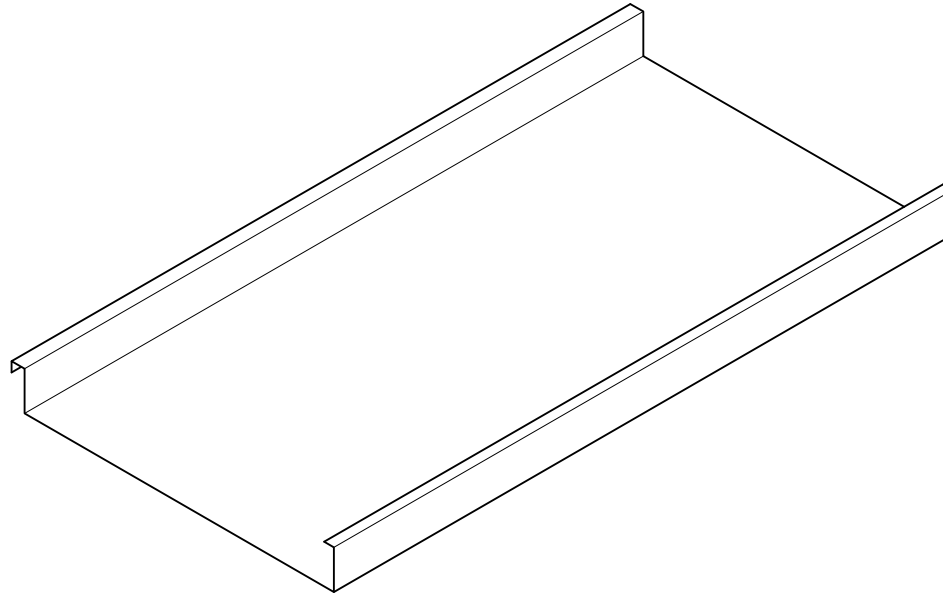




831 MORLEY DRIVE
SAGINAW, MICHIGAN 48601
PH: 800-248-0280
FAX: 989-737-7073

EM 150SS



Profile

DATE: 12-14-10	Exceptional Metals EM 150SS Profile
DRAWN BY: Engineering	Material Usage=4"
SCALE: 1:1	NEW CONSTRUCTION OR REROOF